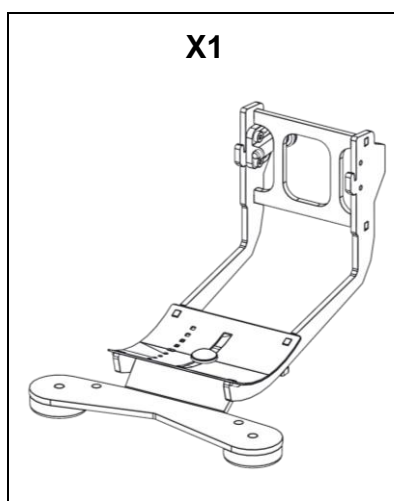


Ground Stacking Accessory

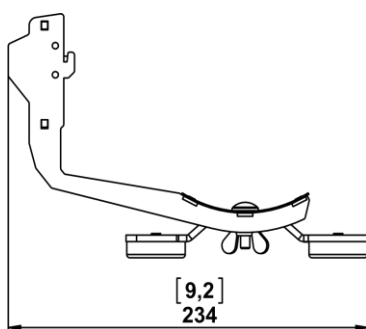
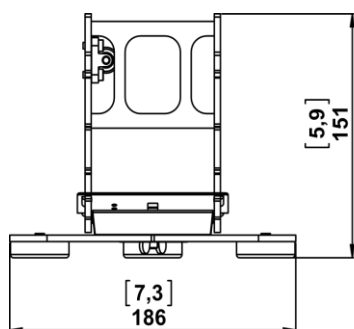


Contents:



Weight: 1kg / 2.2 lb

Dimensions:



Implementation:

<p>Insert GSTK and push until the locking device locks automatically.</p>	<p>Pull up the locking device, and pull up ID24t to remove it.</p>		

Use:

<p>Release the wing nut to adjust the angle. - 20° to + 20°</p>	<p>You can find marks to adjust several GSTK to the same position.</p>	

- NEXO cannot accept responsibility for accidents caused by any factor other than defects in this product itself.

NEXO

www.nexo.fr

ZA du pre de la Dame Jeanne
60128 PLAILLY - France